

TUNNELLING ACCESSORIES

Sidney Little Road
Churchfields Industrial Estate
St Leonards on Sea
East Sussex TN38 9PU
Tel: (01424) 854112 Fax: (01424) 854231

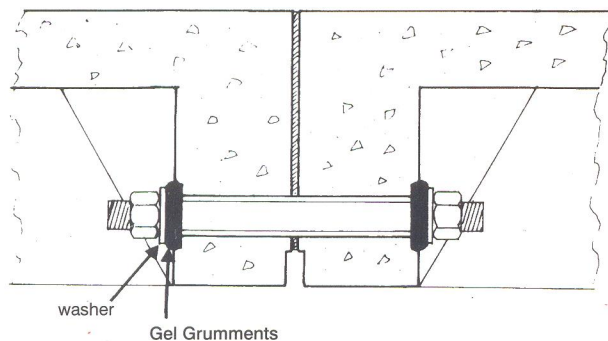


Product Data

Gel Grummets

Description and Use

Gel Grummets are manufactured from the best quality jute yarn impregnated with a highly waterproof gel. They are used for waterproofing the bolt holes in all types of bolted segmental tunnel linings.



All joints - bolted segments

Method of use

Gel Grummets are fitted to the bolts next to the metal washer. They are manufactured to fit tightly on to the bolt and to facilitate fitting they can be stretched slightly with the use of a tapered wood dowel. (These dowels are supplied free on request.) On tightening the nut the Grummets deform filling any interstices in the concrete or cast iron tunnel lining.

Performance

They make an absolute and permanent seal to the ingress of water.
They are resistant to acid and alkalis found in ground water.

Storage

No particular precautions. Temperature range -35°C to +45°C

Handling

As Gel Grummets contain mineral oils it is important for the operatives to observe normal standards of hygiene in particular the hands should be washed thoroughly at the end of a working shift.

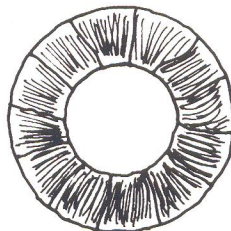
Sizes

Gel Grummets are manufactured for all imperial and metric bolt diameters used in tunnelling.

<i>bolt dia.</i>	<i>Nominal thickness</i>	<i>String colour code</i>
16mm	9mm	yellow
20mm	12mm	green
22mm	12mm	red
24mm	12mm	blue
27mm	12mm	yellow
30mm	12mm	white
36mm	12mm	natural

Packaging

Gel Grummets are supplied in plastic sacks of 1000. Each 50 Grummets are threaded on a colour size coded string.

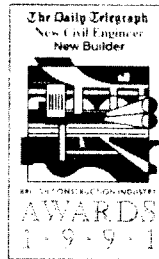


Section and elevation of typical Gel Grummet



TUNNELLING ACCESSORIES

Ancillary materials, equipment & fittings
for all types of tunnelling.



Tunnelling Accessories Ltd
Sidney Little Road
Churchfields Industrial Estate
St. Leonards-on-Sea
East Sussex TN38 9PU
Tel: (national) 01424 854112
(international) +44 1424 854112
Fax: 01424 854231

HEALTH AND SAFETY DATA SHEET

1. IDENTIFICATION OF THE SUBSTANCE AND THE COMPANY

PRODUCT NAME: GEL GRUMMETS

COMPANY: TUNNELLING ACCESSORIES
Sidney Little Road
Churchfields Ind. Estate
St Leonards on Sea
East Sussex
TN38 9PU

TELEPHONE: 01424 854112

FAX: 01424 854231

2. COMPOSITION /INFORMATION ON INGREDIENTS

This product has no hazardous ingredients.

This product is unclassified according to the CHIP regulations and consequently does not require a Safety Data sheet in accordance with Directive 91/155/EEC. The data set out herein is intended to provide guidance in meeting the requirements of the UK COSHH Regulations.

3. HAZARDS IDENTIFICATION

NON - HAZARDOUS

HAZARDS:

Skin:	None
Eyes:	May cause transient discomfort if splashed in the eyes.
Ingestion:	None
Inhalation:	None

4. FIRST AID MEASURES

SKIN:	Wash hands after use
EYES:	Wash with water, if irritation persists seek medical advice
INGESTION:	Drink plenty of water
INHALATION:	Not applicable

5. HANDLING

Avoid splashes in the eyes.

6. PHYSICAL AND CHEMICAL PROPERTIES

APPEARANCE:	Green Jelly
SOLUBILITY:	Insoluble in water
COMBUSTIBLE:	Use foam or dry powder in case of fire
FLASH POINT:	None

7. DISPOSAL CONSIDERATIONS

Scrape up and dispose of as non-hazardous solid waste

8. TRANSPORT INFORMATION

Not classed as hazardous for shipping purposes

9. OTHER INFORMATION

The data and advice given apply when the product is used for the stated applications. The product is not sold as suitable for any other application. Use of the product for applications other than stated in this sheet may give rise to risks not mentioned in this sheet. The product should not be used other than for the stated applications without seeking advice from Tunnelling Accessories.

If this product has been purchased for supply to a third party for use at work, it is the purchaser's duty to take all necessary steps to secure that any person handling or using the product is provided with the information in this sheet.

It is the responsibility and duty of the employer to inform the employees and others who may be affected of any hazards described in this sheet and of any precautions which should be taken.

This sheet does not constitute or substitute for the users own assessment of workplace risk, as required by other health and safety legislation.

Further copies of this Safety Data sheet may be obtained from Tunnelling Accessories.

This Safety Data Sheet, in the CHIP format, supercedes all previous issues, and users are cautioned to ensure it is current. Destroy all previous data sheets, and if in any doubt, contact Tunnelling Accessories.